

MotorGuide®

PRODUCT GUIDE



DESIGNED TO WORK HARD FOR THE DIEHARD.

MotorGuide®

KEVIN VANDAM
2011 Toyota Tundra
Bassmaster Angler of the
Year (4 years running and
7 overall); All-time money
winner; 4-time Bassmaster
Classic Winner; first ever
Outdoorsman of the Year
ESPY Trophy; 21 consecutive
berths in the Bassmaster
Classic; the list goes on.

When it's time to get to work, MotorGuide does it in world-champion fashion with the most rugged, most dependable line of trolling motors on the water. Ask the champ himself, Kevin VanDam, and he'll tell you there's only one that can fish as hard as he does, day in and day out. MotorGuide. The same trolling motor you'll find leading the charge for today's fiercest competitors like Gary Klein, Skeet Reese, Tommy Biffle, Edwin Evers and more. MotorGuide takes every victory and defeat to heart in our quest to engineer the ultimate fishing machines – for a group of pros and die-hards like you that can easily share that label. For today's hardest-charging, most successful anglers, there is only one. MotorGuide.

SKEET REESE
2010 Winner Bassmaster
Elite Series; 2009
Bassmaster Classic Winner;
2007 Bassmaster Toyota
Tundra Angler of the Year.

EDWIN EVERS
6-time B.A.S.S. winner;
10-time Bassmaster
Classic Qualifier.

TOMMY BIFFLE
2010 Winner Bassmaster
Elite Series; 3rd in the
2009 Bassmaster Elite
Series Angler of the Year;
Bassmaster Classic two
time runner-up.

GARY KLEIN
8-time B.A.S.S. winner;
28-time Bassmaster
Classic Qualifier.



INTUITIVE CRAFTING FOR EASIER CASTING.

What makes MotorGuide the most dependable trolling motors on the water is the same thing that makes our pros the most dominant anglers in the world: what's inside. It starts with a superior concept. Add today's finest components. Input from the top competitors. Our obsession with winning. And the savviest engineers in the business. They all come together to create trolling motors of unrivaled stamina, efficiency and fishability. Our track record just about says it all, but it's time we gave you a closer look.

If you're not running Digital, you're not fishing to your full potential. Winning doesn't come easy, but it's what we do time and time again. Our foundation is the most reliable, efficient and proven trolling motor design of all time. MotorGuide Digital. With an advanced Digital module monitoring your motor's amp draw, heat dissipation and output, and all other vital parameters, you get a cooler running, more durable system with extended service life. And all vital components are sealed from heat, moisture, corrosion and shock for ultimate peace of mind. Fish with a rooted advantage over the competition. MotorGuide Digital.

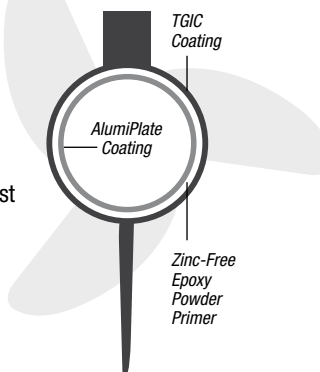


2-year MotorGuide Warranty. As testament of the superior technology and rigorous testing that goes into every motor we build, we back them with one of the best warranties in the business.



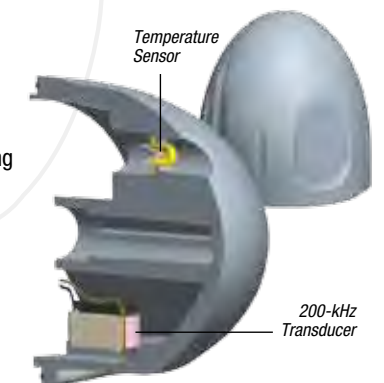
Fully protected electronics. As in virtually bulletproof protection. MotorGuide consolidates all vital electronic components in a self-contained, sealed module, far surpassing other systems in toughness and reliability.

Our lower unit is an armor-plated workhorse. It's tough as nails, runs cooler and last longer. Providing extreme corrosion resistance, our new multi-step coating process includes 99.9% pure AlumiPlate coating under zinc-free epoxy powder primer. Leading the charge, a TGIC polyester topcoat for protection against scrapes and general abuse. And of course, every motor is water and pressure tested for optimum seal. All in, that's power and durability without compromise. That's MotorGuide.



Unrivaled sonar performance comes standard. Our 200kHz built-in sonar transducer delivers industry-leading clarity and detail – helping you pinpoint more fish and more structure to maximize your fishing success. It has a built-in temperature sensor and the nose cone is epoxy-potted for maximum protection.

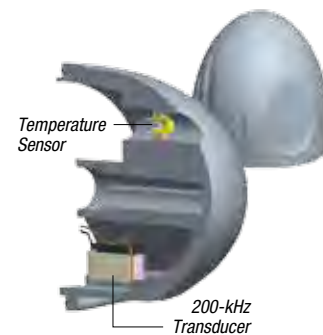
Built-in transducer is compatible with most leading sonar brands.



RUNS WITH
**THE BEST
OF THEM.**



Is the trolling motor really one of the most important pieces of equipment on your boat? It is when your livelihood depends on it. At MotorGuide, we understand what's most important to our users. It comes down to whether or not your trolling motor performs. It's that simple. Touring professionals are always looking for an edge, and with MotorGuide's Tour Edition, they've found it. Every Tour model combines the Digital advantage with our stainless steel shafts, metal pedals and heads. Digital allows you to dial into the precise speed you are searching for, and in turn results in longer lasting battery life. Our trolling motors are more than tough, they're virtually indestructible. That's the Tour difference. Only from MotorGuide.



THE 200-kHz SONAR TRANSDUCER provides incredible detail and is epoxy-potted in the nose cone for maximum protection. Combined with a built-in temperature sensor and compatible with most current sonar products.

MOTORGUIDE DIGITAL monitors your motor's amp-draw, heat dissipation, output and other vital parameters, resulting in a cooler-running, more durable motor with an extended service life. Digital is a self-contained, sealed module in the lower unit that brings all vital motor components together in one protected location, while eliminating outdated analog circuit boards and their related components.



Model	Part No.	Peak Thrust	Shaft	Volts	Speed Control	Mount Style
TR75 FB 45	930010390	75 lbs.	45"	24	Variable	Gator® Breakaway
TR82 FB 45	9BT42GAFF	75 lbs.	45"	24	Variable	Gator® Breakaway
TR82 FB 50	9BT52GAFF	82 lbs.	50"	24	Variable	Gator® Breakaway
TR109 FB 45	9BX43GAFF	109 lbs.	45"	36	Variable	Gator® Breakaway
TR109 FB 50	9BX53GAFF	109 lbs.	50"	36	Variable	Gator® Breakaway
With built-in Transducer						
TR75 FB 45	930010450	75 lbs.	45"	24	Variable	Gator® Breakaway
TR82L FB 45	930011020	82 lbs.	45"	24	Variable	Gator® Breakaway
TR82L FB 50	930011030	82 lbs.	50"	24	Variable	Gator® Breakaway
TR82L FB 60	930011040	82 lbs.	60"	24	Variable	Gator® Breakaway
TR109L FB 45	930011050	109 lbs.	45"	36	Variable	Gator® Breakaway
TR109L FB 50	930011060	109 lbs.	50"	36	Variable	Gator® Breakaway
TR109L FB 60	930011070	109 lbs.	60"	36	Variable	Gator® Breakaway

ALL METAL HEAD AND FOOT PEDAL.
Durable construction ensures high performance.



Adaptable for leading sonar brands.

Tour sonar is designed to provide clean, clear signals for the leading brands of sonar. Please visit www.motorguide.com for more information.



TOUR

FEATURES

- Stainless steel shafts and components, metal head, and pedal make this the toughest trolling motor ever
- Digital power from 75 to 109 pounds of thrust with 24 or 36-volt options
- Completely sealed Digital module is protected from heat, moisture, corrosion and shock, greatly improving durability
- MotorGuide Digital efficiency results in sustained battery life and more time on the water
- Soft-start feature ramps up power, creating smoother initial motion
- Quiet, smooth variable-speed operation lets you get closer to the fish
- Machete III Prop runs quiet and has a smaller diameter than two-blade designs for the ultimate shallow water performance
- Pull-pull cable steering with stainless steel pulleys is known for its feel and precision, limiting torque and fatigue
- Compact, hydrodynamic, lightweight lower units
- MicroSwitch is designed to withstand the demands of harsh, wet tournament conditions
- Gator Breakaway Mount is crafted using extruded aircraft aluminum for rock-solid durability, with a breakaway feature that guards against damage from underwater obstacles.
- Gator Breakaway mount features a hinged door for quick and easy motor removal

Crafted from aircraft grade aluminum, the Gator series mounts are sure to keep you trolling for years to come.

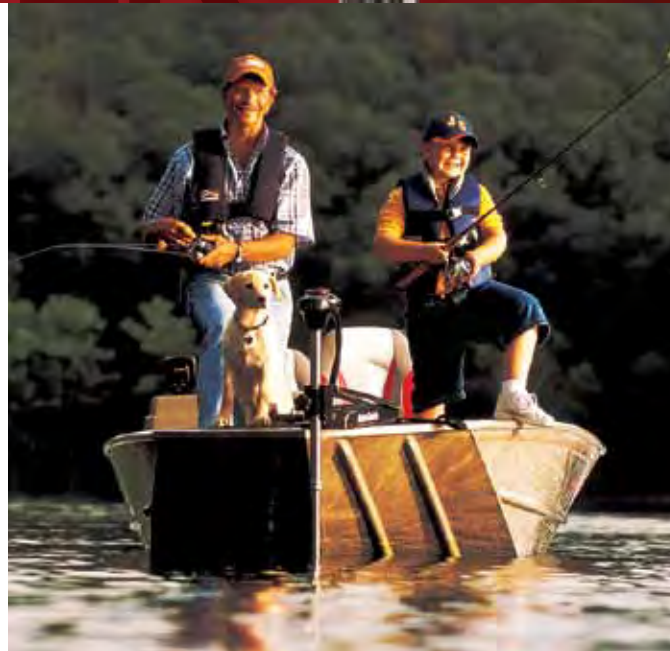


GET HOOKED ON VERSATILE.



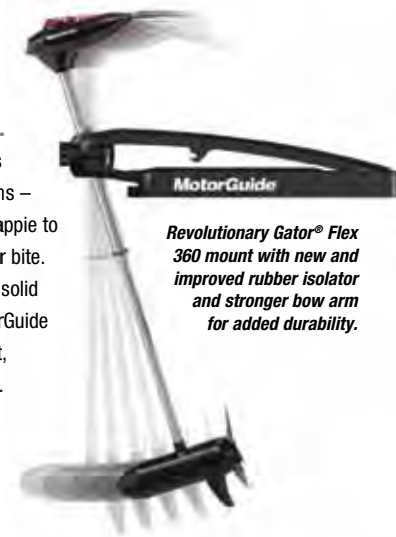
FRESHWATER

From the back covers to the big water, our Freshwater Edition trolling motors have you covered for the long haul with renowned MotorGuide durability in a wide range of options to fit your boat and fishing style. Pound-for-pound and dollar-for-dollar, there's not a better value in fishing. Our Freshwater bow motors excel in a wide range of applications – from pinpointing brush piles for crappie to chasing the early morning topwater bite. Along with stellar versatility, these solid performers deliver legendary MotorGuide durability; superior response; silent, efficient operation and ease of use. Choose your style, be it hand or foot controlled, bow or transom mounted; all the versatility you could want with MotorGuide's Freshwater Edition.



PRECISELY VERSATILE.

Our Freshwater Bow Mount motors excel in a wide range of applications – from pinpointing brush piles for crappie to chasing the early morning topwater bite. Along with stellar versatility, these solid performers deliver legendary MotorGuide durability; superior response; silent, efficient operation and ease of use.



Revolutionary Gator® Flex 360 mount with new and improved rubber isolator and stronger bow arm for added durability.

Model	Part No.	Peak Thrust	Shaft	Volts	Speed Control	Mount Style
Foot-Control Bow						
FW40 FB	921310200	40 lbs.	36"	12	5-speed	Gator® Flex 360
FW40 FB	921310210	40 lbs.	42"	12	5-speed	Gator® Flex 360
FW46 FB	921310110	46 lbs.	36"	12	5-speed	Gator® Flex 360
FW46 FB	921310120	46 lbs.	42"	12	5-speed	Gator® Flex 360
FW46 FB**	921310130	46 lbs.	42"	12	5-speed	Gator® Flex 360
FW46 FB	921310140	46 lbs.	50"	12	5-speed	Gator® Flex 360
FW54 FB	921310150	54 lbs.	36"	12	5-speed	Gator® Flex 360
FW54 FB	921310160	54 lbs.	42"	12	5-speed	Gator® Flex 360
FW54 FB	921310170	54 lbs.	50"	12	5-speed	Gator® Flex 360
FW54 FB	923310030	54 lbs.	36"	12	Variable	Gator® Flex 360
FW54 FB	923310040	54 lbs.	42"	12	Variable	Gator® Flex 360
FW75 FB	921310490	75 lbs.	45"	24	5-speed	Gator® Flex 360
FW75 FB	921310440	75 lbs.	45"	24	5-speed	Gator® Breakaway
FW75 FB	921310450	75 lbs.	50"	24	5-speed	Gator® Breakaway
Foot-Control Transom						
Bulldog 40 FT	921500020	40 lbs.	30"	12	5-speed	#03 Transom
Bulldog 54 FT	921500090	54 lbs.	30"	12	5-speed	#09 Transom
Hand-Control Bow						
FW109 HB	923410020	109 lbs.	50"	36	Variable	Gator® Breakaway

** Model includes an 84" cable for applications where the foot pedal needs to be a greater distance from the head unit.

BULLDOG™ 54. A little dog with big fight, packing 54-lbs. of thrust and a 30" stainless-steel shaft. Perfect for small-boat applications, it can be mounted on the bow or transom and includes a modified rig for the bow. Other standard features include legendary MotorGuide durability, rack and pinion steering, and a 63" cable.



NIGHT NEEDS LIGHT.

Select Freshwater Edition foot operated motors feature the largest lit directional indicators in the industry. Whether day or night, dawn or dusk, you will be able to troll where you want to with a foot-control Freshwater Edition motor on your boat.

FRESHWATER

FEATURES

- From 40 to 109 pounds of thrust with 12, 24 or 36-volt power options
- Multiple shaft lengths based on your application
- Durable 5-speed or efficient variable speed technology, allowing great value for the trusted standard
- Quiet, smooth operation lets you get closer to the fish
- Go shallower, faster, and quieter with our tapered hub, 3-blade, weed-free Machete III prop
- Foot-Control Freshwater Edition motors feature an illuminated directional indicator for night fishing
- Compact, lightweight lower units
- Foot control models offer long-lasting rack-and-pinion design



PROPS. Go shallower, faster and quieter with our tapered hub, 3-blade weed-free Machete® III prop.



CLASSIC PERFORMANCE

RIGHT OUT OF THE BOX.



THE NEW X³

FEATURES

- 5 speeds forward and 2 reverse
- Paired with the durable Gator® Flex 360 mount
- Stainless steel propeller shaft and 3-blade Machete III prop
- Available in 45 and 55 pound thrust
- Classic hand-operated control
- Ergonomic extending handle for fingertip control
- Powerful and cooler-running 3.5" lower unit

Model	Part No.	Peak Thrust	Shaft	Volts	Speed Control	Mount Style
X3-45 HB	940200010	45 lbs.	50"	12	5/2	Gator® Flex 360
X3-55 HB	940200020	55 lbs.	50"	12	5/2	Gator® Flex 360



Extended Handle – The control is at your fingertips with the X3's ergonomic extended handle.

A WINNING COMBINATION.

The new X3 bow mount is a great addition to the MotorGuide lineup. It offers a classic hand-operated control with 5 speeds forward and 2 reverse – with a choice of 45 and 55 pound thrust for the versatility you need. The aluminum shaft and aluminum and steel lower unit construction combine to make the X3 a strong, durable and dependable motor. The new X3 is paired with the revolutionary Gator® Flex 360 mount for a winning combination of durability and value.



STAY OUT EVEN LONGER THAN YOU PLANNED.



VARI MAX

We never stop advancing technology. Our latest breakthrough, VariMAX,™ boasts best-in-class run time and precise variable speed control, so you can stay on the water longer. Perfect for casual pontoon rides to all-day fishing trips, VariMAX delivers up to 3x the battery life of traditional 5-speed motors. It makes you a more versatile fisherman with its wide range of speed options, and it's one of the quietest motors out there. Check your BluVis™ display to monitor speed and battery voltage. Then, hit the water with the confidence that comes with owning a MotorGuide trolling motor. **DIGITAL**

INDUSTRY-LEADING TRANSOM MOUNT.

The VariMAX transom mount features aluminum alloy construction with a rugged powder coat finish. Stainless hinge pins provide the ultimate in strength, rigidity and durability. Includes an easy-to-use tilt/stow/deploy mechanism and swing over knobs on the clamp screws, allowing you to lock the motor to the transom.

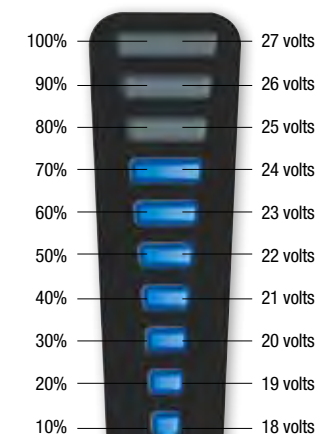


NEVER GET STRANDED WITH THE BLUVIS™ FUNCTION DISPLAY.

BluVis shows direction, precise speed settings and 10 levels of battery voltage when turned off. (BluVis 24-volt motor example shown below.)

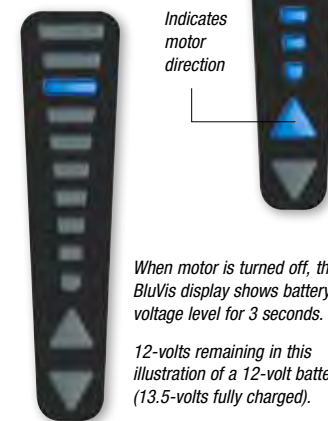


Push/pull direction and speed control



As the handle is rotated, the speed of the motor is shown by the BluVis display in 10% increments.

Motor is operating at 70% in this illustration.



Model	Part No.	Peak Thrust	Shaft	Volts	Speed Control	Mount Style
Hand-Control Transom						
VariMAX V40	966000010	40 lbs.	30"	12	Variable	#09 Transom Wide-Bite
VariMAX V40	966000020	40 lbs.	36"	12	Variable	#09 Transom Wide-Bite
VariMAX V45	966000030	45 lbs.	36"	12	Variable	#09 Transom Wide-Bite
VariMAX V45	966000040	45 lbs.	42"	12	Variable	#09 Transom Wide-Bite
VariMAX V55	966000050	55 lbs.	36"	12	Variable	#09 Transom Wide-Bite
VariMAX V55	966000060	55 lbs.	42"	12	Variable	#09 Transom Wide-Bite
VariMAX V75	966000070	75 lbs.	42"	24	Variable	#09 Transom Wide-Bite
Hand-Control Bow						
VariMAX V55	966080020	55 lbs.	50"	12	Variable	Gator® Flex 360
VariMAX V75	966080035	75 lbs.	50"	24	Variable	Gator® Breakaway
Hand-Control Pontoon						
VariMAX V55	966050010	55 lbs.	50"	12	Variable	Pontoon
VariMAX V75	966050020	75 lbs.	50"	24	Variable	Pontoon



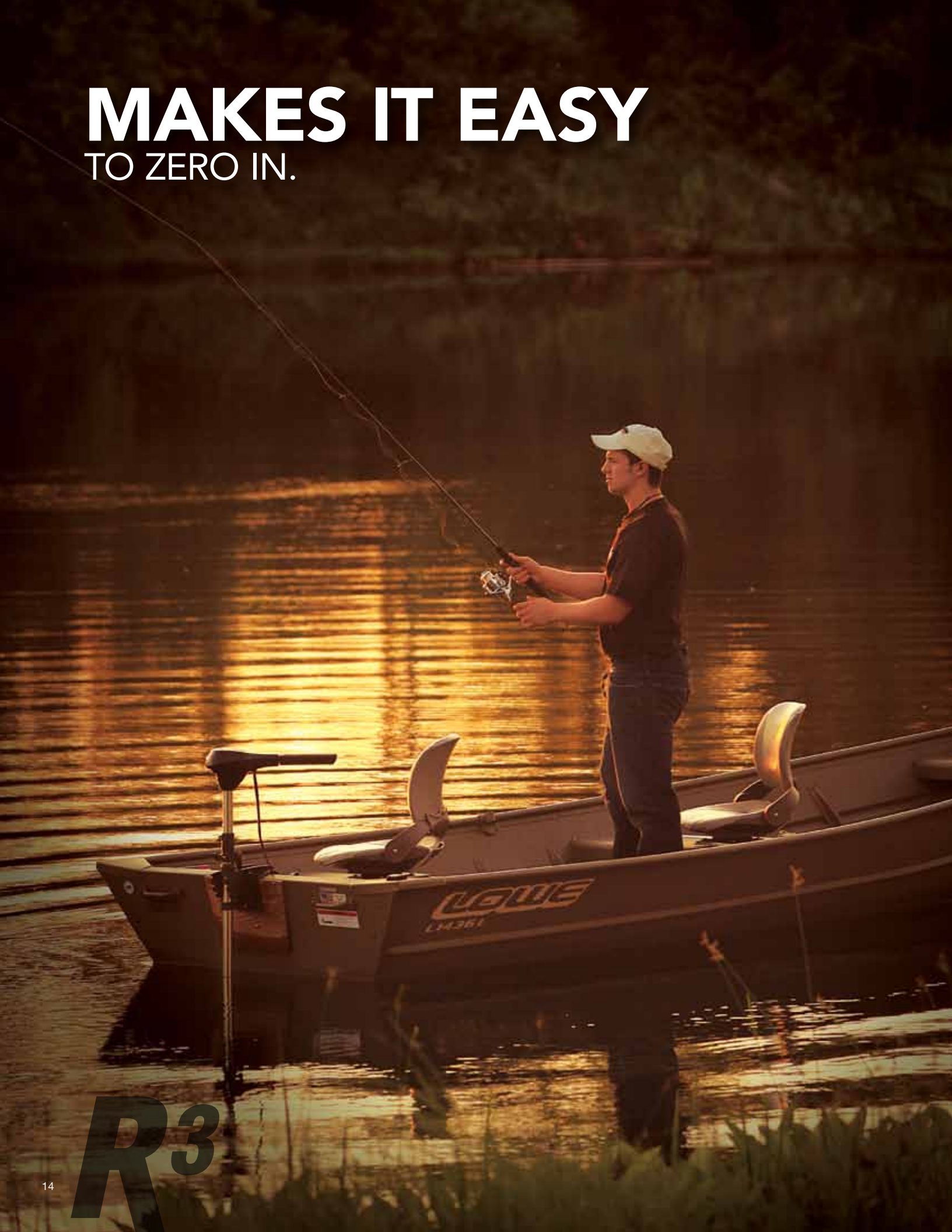
FEATURES

- Digital Variable Speed Control minimizes amp draw and maximizes fishing time – fish up to 3x longer than a 5-speed motor
- Large diameter 1.25" aluminum shaft for greater strength and durability
- Powerful 3.5" diameter VariMAX Digital motors run cooler and last longer
- Revolutionary intuitive push/pull, forward and reverse speed adjustments
- Precise BluVis integrated speed and battery indicator
- Aluminum Mount with 7-point adjustment eliminates slack
- One-touch, rapid slide-depth adjustment collar
- Extendable Tri-Lobe, soft-touch handle. You set the length for the perfect feel and control
- Easy to adjust with a simple Allen wrench, the VariMAX's head can be repositioned for use on the bow, transom or even the side of your boat
- Convenient and reliable mount for pontoon applications



BOW MOUNTS. In our VariMAX bow mount series, the 55 lb. thrust model comes complete with the Gator® Flex 360. The 75 lb. thrust model is paired with the legendary, rock-solid Gator Breakaway mount.

MAKES IT EASY TO ZERO IN.



R³

THE R³

FEATURES

- 5 speeds forward and 2 reverse
- Reversible motor head for bow or transom mount operation
- Ergonomic, extending handle puts control at your fingertips
- Mount with 7-point adjustment
- Aluminum shaft provides strength and durability
- Solid aluminum and steel lower unit with powder coat finish
- Stainless steel propeller shaft and 3-blade Machete prop
- Quiet operation lets you get closer to the fish
- Powerful, 3.5" lower unit runs cooler and lasts longer

DURABILITY MEETS AFFORDABILITY.

The R3 Transom mount is the ultimate in strength, rigidity and durability. The aluminum alloy mount construction and stainless steel hinge pins help make it one of the most powerful and durable trolling motors available. A classic control, with 5 speeds forward / 2 speeds reverse and reversible motor head create a dependable yet versatile motor. Put the control at your fingertips with the R3's ergonomic extending handle and a durable multi-position angle adjustment aluminum mount.

Model	Part No.	Peak Thrust	Shaft	Volts	Speed Control	Mount Style
R3-30 HT	940100070	30 lbs.	30"	12	5-Speed	#03 Transom
R3-40 HT	940100020	40 lbs.	36"	12	5-Speed	#03 Transom
R3-45 HT	940100030	45 lbs.	36"	12	5-Speed	#09 Transom Wide-Bite
R3-55 HT	940100050	55 lbs.	36"	12	5-Speed	#09 Transom Wide-Bite

INDUSTRY-LEADING TRANSOM MOUNT.

Found on the 45 and 55 lb. thrust models, the R3 transom mount features aluminum alloy construction with a rugged powder coat finish. Stainless hinge pins provide the ultimate in strength, rigidity and durability.

Includes an easy-to-use tilt/stow/deploy mechanism and swing over knobs on the clamp screws, allowing you to lock the motor to the transom.



Twist tiller operation – 5 speeds forward & 2 reverse



FREEDOM TO FISH ANYWHERE FROM ANYWHERE.



WIRELESS

MotorGuide Digital durability now gives you precise wireless control with complete freedom of movement. It comes standard with a Wireless Foot Pedal, the industry's smoothest stow and deploy, and the versatility to use up to four remote inputs, including the optional Wireless Hand-Held Remote. Select Wireless Edition models allow you to maximize your MotorGuide experience with a built-in transducer and temperature sensor, giving you the ultimate advantage over other anglers when connected to your compatible sonar unit. With a built-in removable mount, rough-water lower-unit cradle and an integrated battery indicator, it's the industry's only true wireless-ready system straight from the box. **DIGITAL**



PERFECT FOR YOUR PONTOON. The small footprint Cradle Mount is removable, lockable, and easily stowed and deployed. An exclusive built-in RF receiver means you'll experience hands-free control from anywhere onboard.



33% STRONGER SHAFTS. MotorGuide's Wireless Series composite shaft is beefed up with a larger diameter and is 33% stronger than competitor's composite shafts.

WIRELESS FREEDOM is what MotorGuide's exclusive high-frequency Wireless Foot Pedal is all about. It's the easiest-to-use, most functional foot-control device ever designed for a trolling motor. On/Off, Right/Left and Faster/Slower wireless motor commands make it a cinch to master for novice and expert alike. You now have simple, fast and precise wireless boat positioning from anywhere on the deck with a low-profile foot pedal – use it sitting or standing.



Model	Part No.	Peak Thrust	Shaft	Volts	Speed Control	Propeller
W45	970100360	45 lbs.	48"	12	Variable	Machete III
W45	970100370	45 lbs.	54"	12	Variable	Machete III
W55	970100020	55 lbs.	48"	12	Variable	Machete III
W55	970100030	55 lbs.	54"	12	Variable	Machete III
W55	970100060	55 lbs.	60"	12	Variable	Machete III
W75	970100080	75 lbs.	48"	24	Variable	Machete III
W75	970100040	75 lbs.	54"	24	Variable	Machete III
W75	970100050	75 lbs.	60"	24	Variable	Machete III
With built-in Transducer						
W55L	970100100	55 lbs.	54"	12	Variable	Machete III
W75L	970100110	75 lbs.	48"	24	Variable	Machete III
W75L	970100120	75 lbs.	60"	24	Variable	Machete III

QUICK-RELEASE MOUNTING PLATE makes installation fast and simple. Made from tough extruded aluminum, the mounting plate locks in place to form a rock-solid connection and uses a common hole pattern. You can stow your motor in your vehicle while trailering to avoid rough-road abuse, or quickly transfer it to a secure location when you can't watch the boat. This patented piece of equipment comes standard.



BUILT-IN BATTERY INDICATOR includes four levels of charge data to maximize fishing time.

CRADLE LOCK™ MOUNT is exclusive to MotorGuide's Wireless Series and is designed to stand up to the pounding of rough-water runs. With a small footprint, the Cradle Lock comes standard with a quick-release, lockable mounting plate that fits virtually any boat.



WIRELESS

FEATURES

- Wireless value is delivered with a built-in receiver. You're now free to add to your system
- Mix and match up to four Wireless Hand-Helds or Wireless Foot Pedals in any combination
- Perfect for tournament situations and/or tough bites that require teamwork, precise boat control, and accurate bait presentations
- One hand stow and deploy. Stow and deploy is easy and ultra-smooth with our Wireless Edition motors. One hand and a light pull, and you're ready to make a run to your next spot



Optional Hand-Held Remote for use with your Freshwater Wireless



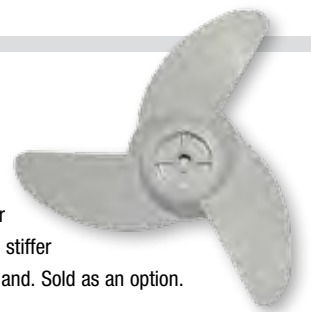
UNLEASH THE BEAST: AND GO THE DISTANCE.



GREAT WHITE

There's no trolling motors on the planet more prepared for the extreme test of saltwater than Great White.® Heat? Corrosion? Big-water pounding? All in a day's work for these powerful predators. Our Great White edition is the choice of guides, competitive anglers, and die-hards around the world. From the specially formulated coating, to the epoxy-sealed lower unit, to the Stainless Steel shaft – the durability starts on the outside and goes all the way to the core. Great White. The only motor ready to go the distance with you in one of the most caustic environments on earth. **DIGITAL**

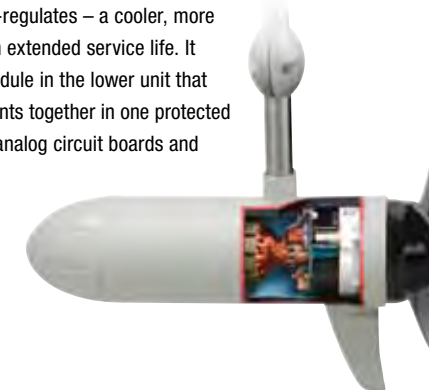
UPGRADE TO THE GREAT WHITE MACHETE® III GLASS-FILLED PROPELLER. Go faster, go shallower, go quieter with MotorGuide's specially formulated material that's stiffer and more rugged. Get the durability that the pros demand. Sold as an option.



EATIN' UP THE ULTIMATE TEST. Shallow-water saltwater guides and anglers on the Saltwater Redfish circuits choose Great White Digital for a simple reason – they're the most dependable trolling motors out there. Long days on the flats are the ultimate test of your equipment, and these motors don't just pass it, they eat it up and come back for more. MotorGuide invented the saltwater-specific trolling motor and we continue leadership today as the choice of guides and avid saltwater anglers around the world.

Model	Part No.	Peak Thrust	Shaft	Volts	Speed Control	Mount Style
Hand-Control Bow						
SW82 HB	924410050	82 lbs.	50"	24	Variable	Gator® Breakaway
SW82 HB	924410060	82 lbs.	60"	24	Variable	Gator® Breakaway
SW109 HB	924410070	109 lbs.	50"	36	Variable	Gator® Breakaway
SW109 HB	924410080	109 lbs.	60"	36	Variable	Gator® Breakaway
Hand-Control Transom						
SW82 HT	9CT42KQAX	82 lbs.	45"	24	Variable	#09 Transom Wide-Bite
SW109 HT	9CX53KQAX	109 lbs.	50"	36	Variable	#09 Transom Wide-Bite

MOTORGUIDE DIGITAL monitors your motor's amp draw, heat dissipation, output and other vital parameters. The result is a motor that self-regulates – a cooler, more durable running motor with an extended service life. It is a self-contained, sealed module in the lower unit that brings all vital motor components together in one protected location, eliminating outdated analog circuit boards and related componentry.



Great White®

FEATURES

- Ergonomic extending handle puts control at your fingertips
- Digital power in 82 to 109 pounds of thrust with 24- or 36 volt power options
- Ultra pure aluminum coating "self-heals" from scratches providing added protection in abrasive shallow water use
- Stainless steel shaft, fasteners and control cables
- Anodized aluminum mounts and components prevent galvanic corrosion through our specialized multi-step process
- Completely sealed Digital module is protected from heat, moisture, corrosion and shock, greatly improving durability
- Improved efficiency results in extended battery life and more time on the water
- Soft-start feature ramps up power, creating smoother initial motion
- Quiet, smooth operation lets you get closer to the fish
- Machete III propeller is quieter and has a smaller diameter than two-blade designs for ultimate shallow water performance
- Compact, lightweight lower units
- Saltwater anode for added corrosion protection



COVER SOME SERIOUS WATER.



VARI MAX

VariMAX technology gives you the freedom to fish all day with unmatched control of your boat, day in and day out. Anglers will be quick to recognize the rugged, functional styling of VariMAX highlighted by the intuitive push/pull, forward and reverse speed adjustments. The BluVis function display shows direction (forward/reverse), precise speed settings, and 10 levels of battery voltage when turned off. These motors are designed to have the longest run time of any motor in its class and the advantage of precise variable speed adjustment. Fish longer, fish at exactly the speed you want, and fish quieter with VariMAX.

DIGITAL

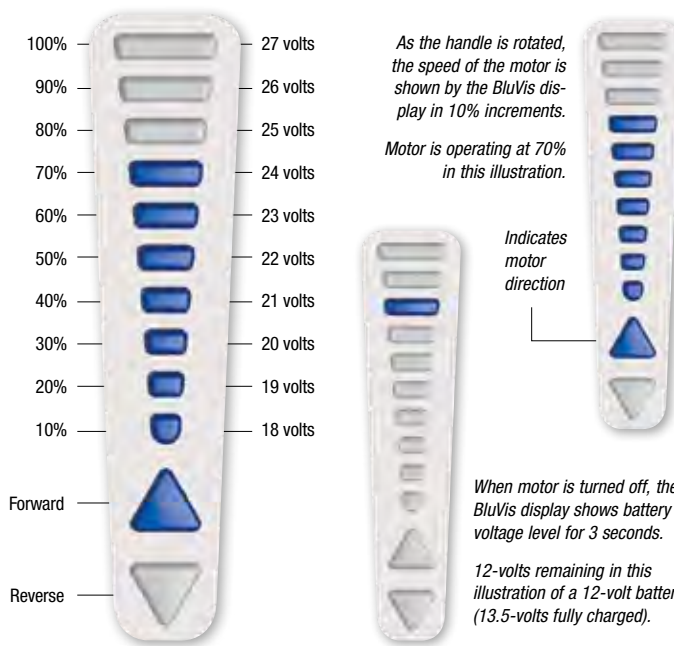
INDUSTRY-LEADING TRANSOM MOUNT.

The VariMAX transom mount features aluminum alloy construction with a rugged powder coat finish. Stainless hinge pins provide the ultimate in strength, rigidity and durability. Includes an easy-to-use tilt/stow/deploy mechanism and swing over knobs on the clamp screws, allowing you to lock the motor to the transom.



NEVER GET STRANDED WITH THE BLUVIS™ FUNCTION DISPLAY.

BluVis shows direction, precise speed settings and 10 levels of battery voltage when turned off. (BluVis 24-volt motor example shown below.)



Model	Part No.	Peak Thrust	Shaft	Volts	Speed Control	Mount Style
Hand-Control Transom						
VariMAX V45SW Kayak	966100010	45 lbs.	18"	12	Variable	#09 Transom Wide-Bite
VariMAX V45SW	966100020	45 lbs.	36"	12	Variable	#09 Transom Wide-Bite
VariMAX V55SW	966100030	55 lbs.	36"	12	Variable	#09 Transom Wide-Bite
Hand-Control Bow						
VariMAX V55SW	966180810	55 lbs.	50"	12	Variable	Gator® Flex 360
VariMAX V75SW	966180830	75 lbs.	50"	24	Variable	Gator® Breakaway
VariMAX V75SW	966180840	75 lbs.	60"	24	Variable	Gator® Breakaway



FEATURES

- Digital Variable Speed Control minimizes amp draw and maximizes fishing time – fish up to 3x longer than a 5-speed motor
- Large diameter 1.25" aluminum shaft for greater strength and durability
- Powerful 3.5" diameter VariMAX Digital motors run cooler and last longer
- Revolutionary intuitive push/pull, forward and reverse speed adjustments
- Precise BluVis integrated speed and battery indicator
- Aluminum Mount with 7-point adjustment eliminates slack
- One-touch, rapid slide-depth adjustment collar
- Extendable Tri-Lobe, soft-touch handle. You set the length for the perfect feel and control
- Easy to adjust with a simple Allen wrench, the VariMAX's head can be repositioned for use on the bow, transom or even the side of your boat



BOW MOUNTS. Available in the most popular configurations ever, the new VariMAX 55 lb. thrust model comes complete with a saltwater proof Gator® Flex 360. The 75 lb. thrust model is paired with the legendary, rock-solid Gator Breakaway mount.



IT'LL TAKE YOU
**WHERE
YOU WANT
TO GO.**



WIRELESS

MotorGuide Digital durability now gives you precise wireless control with complete freedom of movement. It comes standard with a Wireless Foot Pedal, the industry's smoothest stow and deploy, and the versatility to use up to four remote inputs, including the optional Wireless Hand-Held Remote. All saltwater models are put through a multi-step paint process to resist corrosion and stand up to the brutal demands that saltwater can throw at it. With a built-in removable mount, rough-water lower-unit cradle and an integrated battery indicator, it's the industry's only true wireless-ready system straight from the box. **DIGITAL**



WIRELESS FREEDOM is what MotorGuide's exclusive high-frequency Wireless Foot Pedal is all about. It's the easiest-to-use, most functional foot-control device ever designed for a trolling motor. On/Off, Right/Left and Faster/Slower wireless motor commands make it a cinch to master for novice and expert alike. You now have simple, fast and precise wireless boat positioning from anywhere on the deck with a low-profile foot pedal – use it sitting or standing.



Model	Part No.	Peak Thrust	Shaft	Volts	Speed Control	Propeller
W55 SW	970200010	55 lbs.	48"	12	Variable	Power Prop 3.5"
W55 SW	970200020	55 lbs.	54"	12	Variable	Power Prop 3.5"
W75 SW	970200030	75 lbs.	48"	24	Variable	Power Prop 3.5"
W75 SW	970200040	75 lbs.	60"	24	Variable	Power Prop 3.5"



BUILT-IN BATTERY INDICATOR includes four levels of charge data to maximize fishing time.

QUICK-RELEASE MOUNTING PLATE makes installation fast and simple. Made from tough extruded aluminum, the mounting plate locks in place to form a rock-solid connection and uses a common hole pattern. You can stow your motor in your vehicle while trailering to avoid rough-road abuse, and quickly transfer it to a secure location when you can't watch the boat. The quick-release mounting plate comes standard.



CRADLE LOCK™ MOUNT is exclusive to MotorGuide's Wireless Series and is designed to stand up to the pounding of rough-water runs. With a small footprint, the Cradle Lock comes standard with a quick-release, lockable mounting plate that fits virtually any boat.



WIRELESS

FEATURES

- Wireless value is delivered with a built-in receiver. You're now free to add to your system
- Mix and match up to four Wireless Hand-Helds or Wireless Foot Pedals in any combination.
- Perfect for tournament situations and/or tough bites that require teamwork, precise boat control, and accurate bait presentations
- One hand stow and deploy. Stow and deploy is easy and ultra-smooth with our Wireless Edition motors. One hand and a light pull, and you're ready to make a run to your next spot



Optional Hand-Held Remote for use with your Saltwater Wireless



33% STRONGER SHAFTS. MotorGuide's Wireless Series composite shaft is beefed up with a larger diameter and is 33% stronger than competitor's composite shafts.



PROPELLERS OPTIMIZED FOR POWER AND EFFICIENCY.



The Safari™ weedless delivers quiet power



When it comes to optimal propeller performance, a one-size-fits-all approach is not optimal. Which is precisely why MotorGuide® offers a complete line of performance-tuned propellers to enhance your motor's all-around performance in any application. MotorGuide custom props were designed with the input of the Mercury® Propeller division and include weedless, power and shallow water options.

2-Blade Power Prop
Hub Size: 3"
Application: Power & Efficiency
MGA0476B



3-Blade Aluminum Machete®
Hub Size: 3.5"
Application: Shallow & Durability
MGA087M



3-Blade Machete III Black
Hub Size: 3.5"
Application: Speed & Efficiency
MGA089B



3-Blade Machete III White Glass-Filled
Hub Size: 3.5"
Application: Speed & Efficiency
MGA089W



2-Blade Power Prop
Hub Size: 3.5"
Application: Power & Efficiency
MGA0495B



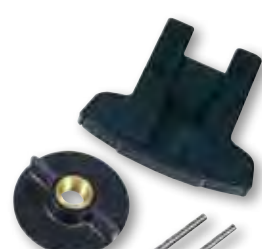
3-Blade Machete III Grey Glass-Filled
Hub Size: 3.5"
Application: Shallow & Durability
MGA089G



Safari™ Weedless
Hub Size: 3.5"
Application: Weedless & Power
8M0028330



Ninja™ Prop Wrench. Comes complete with spare prop nut and two prop pins, allowing fast prop changes. MGA050B6



ON-BOARD BATTERY CHARGERS

MotorGuide's recreational-grade marine battery chargers use Auto Transfer Technology to maintain the engine crank while providing automatic charging to your trolling batteries. Simply plug it in for fully automatic charging with moderate charge times and built-in safe maintenance mode for long or short term storage. No more need for on-board portable battery chargers and the hassle of "one at a time" charging. These durable chargers are pre-wired for easy installation and are engineered for years of safe and convenient operation with Lead Acid or GEL batteries.

Model	Part No.	System Voltages	Amps	Banks	AC/DC Cables	Size	AC In
5	31705	12	5	1	5'	5.75" x 3.5" x 2"	90-135
5/5	31710	12/24	10	2	5'	9' x 5.25" x 2"	90-135
5/5/3	31713	12/24/+ENG	13	3	5'	9' x 5.25" x 2"	90-135

CHARGERS

FEATURES

- Automatic charging for Lead Acid or GEL batteries
- Charges and conditions batteries with a built-in safe maintenance mode for long and short term storage
- Auto Transfer Technology will maintain the engine crank battery while transferring 100% of the available charging amps to your trolling batteries
- Waterproof, shock resistant and saltwater tested
- Reverse polarity, ignition and temperature protection
- LED indicators for power, charging and maintaining
- Pre-wired for easy installation
- Available in single, dual and triple bank models



Model 5
31705



Model 5/5
31710



Model 5/5/3
31713

RIGGING

50-AMP CLIPS. Feature upscale grip design and higher amp rating. **8M4000287**



MANUAL RESET BREAKERS. Protect your motor and boat wiring.

(50-amp) **MM5870**



(60-amp) **14372-7**

6-GAUGE BATTERY CABLE AND TERMINALS WITH 50-AMP MANUAL RESET BREAKER.

Protect your investment with this 50-amp manual reset breaker and heavy-duty 6-ga. battery cable and terminal. **MM309922T**



WIRELESS

REMOTE HARD STORAGE CASE.

(interior shown with Wireless Series RF foot-control and Wireless Hand-Held Remote – not included). **MGA505A1**



WIRELESS FOOT PEDAL
8M4000952

WIRELESS SONAR ADAPTERS. The Wireless Sonar Adapters are designed to provide clean, clear signals for the leading brands of sonar. See www.motorguide.com for sonar listing. For older wireless with black 6-pin connector.

LOWRANCE (7-Pin)
8M4000386

VEXILAR (3-Pin)
8M0029350

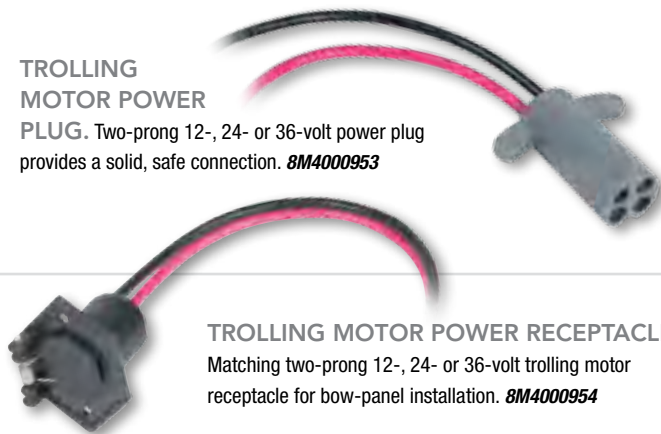
GARMIN (6-Pin)
8M0029351

HUMMINBIRD (7-Pin)
8M0029352



TROLLING MOTOR POWER PLUG.

Two-prong 12-, 24- or 36-volt power plug provides a solid, safe connection. **8M4000953**



TROLLING MOTOR POWER RECEPTACLE.

Matching two-prong 12-, 24- or 36-volt trolling motor receptacle for bow-panel installation. **8M4000954**

TOUR AND WIRELESS SONAR ADAPTERS WITH 7-PIN BLUE/GRAY CONNECTOR. The new Tour Lowrance Sonar Adapters are designed to provide clean, clear signals for the leading brands of sonar. See www.motorguide.com for the latest compatibility list.



LOWRANCE (6-Pin)
8M4001959



GARMIN (6-Pin)
8M4001961



VEXILAR (3-Pin)
8M4001960



HUMMINBIRD (7-Pin)
8M4001962



WIRELESS SERIES ANTI-SLIP RUBBER FOOT PEDAL PADS.

Form fit rubber pads insert into Wireless foot pedal for non-slip performance on aluminum and gel-coat surfaces. **8M0029474**



WIRELESS MOUNTING PLATE.

If you own multiple boats, take advantage of the quick-release Wireless Mounting Plate and swap your Wireless motor from boat to boat – it saves time and money. **8M4000975**



WIRELESS HAND-HELD REMOTE.

Take control from anywhere in the boat with our exclusive high-frequency remote. For use with Wireless Series trolling motors. **M887657**

WIRELESS MOUNTING PLATE COVERS.

Snap in place and clean up the deck.

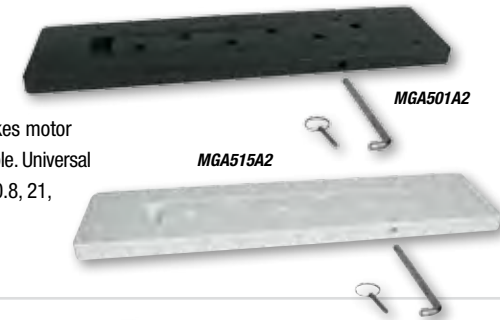
FRESHWATER BLACK
MGA506A1



SALTWATER WHITE
8M4000292

MOUNTING

REMOVABLE MOUNT. Makes motor removal and installation fast and simple. Universal hole patterns. Fits Gator® Flex 360, 20.8, 21, 21R, 24 and 24R mounts.



MGA501A2

MGA515A2



TROLLING MOTOR MOUNTING KIT. Absorbs shock and protects electronics. Steel bolts and washers fit all trolling motors. Four per package. **8M4000873**

UNIVERSAL EXTENSION HANDLES. Locks into place to fit transom-mount trolling motors and most popular tiller engines.



MGA504A1



MGA503A1



GATOR FLEX BOUNCE BUMPER.

Attaches on the bow arm of the Gator Flex 360 mount for added rough water protection. **MGA518A1**

WEIGHT PLATE.

Fits Freshwater Series foot pedals to stabilize in rough water. Includes rubber non-slip feet. **M899464T**



GATOR 360 REPLACEMENT ISOLATOR.

Fits Gator Flex 360 FW & SW mounts. **8M4000305**

MOUNTING ISOLATORS. Absorbs shock and protects electronics. Ideal for mounting all marine accessories without having to go under the deck. Four per package. **MGA015PB6**



NEW MOTORGUIDE® RAM® MOUNT TROLLING MOTOR STABILIZERS.

Considered essential by northern anglers and saltwater fishermen alike. Prevents damage to motor, shaft and head in rough water conditions.

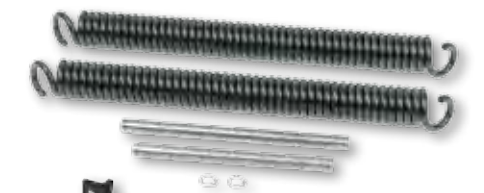
RAIL MOUNT BASE
8M4000976

STANDARD
8M4000977

LONG
8M4000978



GATOR MOUNT SPRING KIT. Fits 20.8, 21R and 24R Gator mounts. Allows for automatic breakaway reset for shallow water fishing. **8M4000294**



BOUNCE BUSTER™ II.

For 21, 21R, 24 and 24R Gator Mounts. **MGA097B6**



TOUR GRADE REPLACEMENT HANDLE.

With soft grip handle and high-strength rope for unsurpassed durability. **8M4000275**

TIE DOWN STRAPS.

The adjustable hook and loop strap keeps your trolling motor safely secured while trailering or on the water. **MGA507A1**



MOTORGUIDE® APPAREL AND GIFTS.

Order official MotorGuide merchandise by calling 1-800-789-2727 or visit us at www.motorguide.com to see our full line.

SPORT VISOR.

100% cotton twill with sport eyeshade. Contrasting visor edging and side panels. Two rows of visor stitching. Adjustable Velcro strap. **\$11 each**



MULTI-TOOL KEYCHAIN.

Includes flat head screwdriver, phillips head screwdriver, knife, bottle opener, and LED light. Approximate size: 1 1/8" x 2 3/8". **\$6 each**



MESH BACK CAP.

Bio washed twill front panels. Ultra soft mesh sides and back. Unstructured, low profile, 6 panel. Matching undervisor. Adjustable Velcro closure. **\$11 each**



LOGO TEE.

100% cotton tee with center chest MotorGuide logo. Sizes S-3X. **\$11 each**

NEOPRENE COLLAPSIBLE

KOOSIE. Premium quality Neoprene Collapsible can koozie. 4" high x 4" wide. Red and black available. **\$2.25 each**



SOLAR SHIELD FISHING TEE.

100% spun polyester fabric with UPF 30+ Sun Protection. Designed to wick moisture away from your skin for rapid evaporation, 4 to 8 times faster than 100% cotton. Easy-care fabric. Center chest MotorGuide logo print, with full back custom design. Sizes S-2X. **\$19 each**

COLOR BLOCK POLO.

100% polyester, 4.3oz, performance polo with antimicrobial and moisture wicking functions. Color-block body with self fabric collar. Contrasting shoulder inserts, neck tape and decorative stitching. Hemmed sleeves. Three-button placket. Easy care. Sizes M-3X. **\$34 each**

HOODED SWEATSHIRT.

9.5oz, 80% cotton/20% polyester heavyweight hooded sweatshirt with front pouch pocket. MotorGuide logo printed on the center chest and left sleeve. Sizes M-2X. Add \$2.00 for 2X. **\$34 each**



PREMIER SERVICE CENTERS. MotorGuide is proud to list our Premier Service Centers who are committed to providing top-level service backed by people with years of MotorGuide experience. For a complete list of service centers near you, visit www.motorguide.com or contact consumer affairs at (920) 929-5040.

Name	Address	City	State	ZIP	Phone
Alabama Trolling Motors	4340 Vanderbilt Road B	Birmingham	AL	35217	(205) 841-3220
Fox Trolling Motors	4401 Government Blvd	Mobile	AL	36693	(251) 661-7033
N.I.F.E. Marine	4100 Rixie Road	Sherwood	AR	72117	(501) 835-2929
Martin Marine	715 W Broadway Road	Mesa	AZ	85210	(480) 898-1800
The Trolling Motor Doctor	3720 Industry Avenue #105	Lakewood	CA	90712	(800) 944-9446
Hook Line & Sinker	3100 Main Street #260	Oakley	CA	94561	(925) 625-2441
Sunny's Electric Marine	1500 El Camino Ave., Suite C	Sacramento	CA	95815	(916) 487-3868
Kels Rod & Reel Service Inc.	430 Hwy 436 #105	Casselberry	FL	32707	(407) 834-3008
Smith Marine Enterprises	2420-1 Concorde Ave.	Fort Myers	FL	33901	(239) 939-5776
Trolling Motor Service	5615 Wesconnett Blvd	Jacksonville	FL	32244	(904) 573-0480
Central Florida Trolling Motor	3780 US Hwy 92 East	Lakeland	FL	33801	(863) 666-2248
Master Repair Inc.	4446 SE Commerce Ave., Suite A	Stuart	FL	34997	(772) 220-7777
S&A Leisure Inc.	1300 N. Hwy 309	Welaka	FL	32193	(386) 467-7000
Marine Specialty House	6444 Camp Road	Riverdale	GA	30296	(770) 996-9014
Western Marine Inc.	1205 Industrial Road	Nampa	ID	83687	(208) 463-1511
A20 Boating & Marine	2005 Charlestown New Albany Rd.	Jeffersonville	IN	47130	(877) 801-5621
Tackle Service Center	246 East Washington Street	Mooreville	IN	46158	(317) 831-2400
B & J Marine Inc.	5910 Poplar Level Road	Louisville	KY	40228	(502) 969-8511
Trolling Motor Shop/B & S Marine	2221 N Airway Drive	Baton Rouge	LA	70815	(225) 928-9644
Trolling Motors Unlimited	2412 Veronica Drive	Chalmette	LA	70043	(504) 277-0794
Dixie Trolling Motors	70161 Hwy 59, Suite F	Abiba Springs	LA	70420	(985) 809-0685
Ray's Repair Service	6794 W. Main Street	Houma	LA	70360	(985) 868-2473
Mid Lake Marine	13126 Texas Hwy	Many	LA	71449	(318) 256-5573
Antley Trolling Motor	342 Worthey Road	West Monroe	LA	71291	(318) 396-9292
Motor Clinic	6667 W. Old Shakopee Road #101	Bloomington	MN	55438	(952) 881-0898
Tri-State Trolling Motor Repair	428 Chez Patee Drive	Hazelwood	MO	63042	(314) 921-7292
Marine Repair Center Inc.	514 North Prince Lane	Springfield	MO	65802	(417) 833-9191
Fisherman's Friend	1401 South Ridge Avenue	Kannapolis	NC	28083	(704) 934-2122
Big John's Fishing	26505 S. Hwy 125	Afton	OK	74331	(918) 257-8385
Robby's Trolling Motor Shop	328 E. Kenosha	Broken Arrow	OK	74012	(918) 853-2651
Port-Tronics Inc.	1904 Piedmont Highway	Greenville	SC	29605	(864) 299-1432
On Site Service	246 County Road 1558	Alba	TX	75410	(903) 765-2019
South Texas Trolling Motor Sales & Service	9705 South Padre Island Drive	Corpus Christi	TX	78418	(361) 939-8970
All Star Marine Electronics	3434A Dillido	Dallas	TX	75228	(214) 320-1673
Boris Marine Electronics	5301 Azle Avenue	Fort Worth	TX	76114	(817) 624-3932
Gulf Coast Trolling Motor	12800 Gulf Freeway	Houston	TX	77034	(281) 481-6838
Virginia Trolling Motor Services LLC	3502 Jefferson Davis Highway	Richmond	VA	23234	(804) 233-6726
Angler's Choice	20222 Ballinger Way NE	Shoreline	WA	98155	(206) 364-9827
Anchors Aweigh Inc.	2035 South West Avenue	Waukesha	WI	53189	(262) 547-7170

CANADA

Mike's Reel Repair	108 31060 Peardonville Rd	Abbotsford	BC	V2T 6K5	(888) 404-1119
P&R Starter Alternator	27804 Hwy 28 South	Bancroft	ON	KOL 1C0	(613) 339-1919
Backwater Tackle & Line	543 Bay St	Midland	ON	L4R 4L1	(705) 527-7351
A Aikman Sporting Goods Repair	3010 Novar Rd	Mississauga	ON	L5B 1S4	(905) 277-3595
Boat Tech	1058 Copperstone Dr Unit 2	Pickering	ON	L1W 3V8	(905) 686-5007
Woods Electronic Repair	785 Bridge St W Unit 3&4	Waterloo	ON	N2V 2K1	(450) 430-4671
L'Ami Du Sport RBL	738 Boul Cure Labelle	Blainville	QC	J7C 2K3	(239) 939-5776
Raytech Electronique Inc	1439 Boul des Laurentides	Laval	QC	H7M 2Y3	(450) 975-1015
Clement Monfette Service Inc	317 La Canardiere	Quebec	QC	G1L 4X2	(418) 522-5651
Service Shiman au Peche Inc	9490 Trans Cdne	St Laurent	QC	H7R 5K9	(514) 956-9695
Les Mains Agiles Ltee	206 Boul Labelle	St Rose Laval	QC	H7L 3A1	(450) 625-6963

TOUR EDITION DIGITAL BOW MOUNT

Model #	Part #	Peak Thrust	Shaft	Shaft Material	Volts	Speed Controls	Motor Directions	200-kHz Transducer	Control	Propeller	Mount Style
TR75 FB Digital / 45"	930010390	75	45"	Stainless Steel	24	Digital Variable	Forward	No	Metal/Pull/Pull	Machete III	Gator® Breakaway
TR82 FB Digital / 45"	9BT42GAFF	82	45"	Stainless Steel	24	Digital Variable	Forward	No	Metal/Pull/Pull	Machete III	Gator® Breakaway
TR82 FB Digital / 50"	9BT52GAFF	82	50"	Stainless Steel	24	Digital Variable	Forward	No	Metal/Pull/Pull	Machete III	Gator® Breakaway
TR109 FB Digital / 45"	9BX43GAFF	109	45"	Stainless Steel	36	Digital Variable	Forward	No	Metal/Pull/Pull	Machete III	Gator® Breakaway
TR109 FB Digital / 50"	9BX53GAFF	109	50"	Stainless Steel	36	Digital Variable	Forward	No	Metal/Pull/Pull	Machete III	Gator® Breakaway
TR75L FB Digital / 45"	930010450	75	45"	Stainless Steel	24	Digital Variable	Forward	No	Metal/Pull/Pull	Machete III	Gator® Breakaway
TR82L FB Digital / 45"	930011020	82	45"	Stainless Steel	24	Digital Variable	Forward	Yes	Metal/Pull/Pull	Machete III	Gator® Breakaway
TR82L FB Digital / 50"	930011030	82	50"	Stainless Steel	24	Digital Variable	Forward	Yes	Metal/Pull/Pull	Machete III	Gator® Breakaway
TR82L FB Digital / 60"	930011040	82	60"	Stainless Steel	24	Digital Variable	Forward	Yes	Metal/Pull/Pull	Machete III	Gator® Breakaway
TR109L FB Digital / 45"	930011050	109	45"	Stainless Steel	36	Digital Variable	Forward	Yes	Metal/Pull/Pull	Machete III	Gator® Breakaway
TR109L FB Digital / 50"	930011060	109	50"	Stainless Steel	36	Digital Variable	Forward	Yes	Metal/Pull/Pull	Machete III	Gator® Breakaway
TR109L FB Digital / 60"	930011070	109	60"	Stainless Steel	36	Digital Variable	Forward	Yes	Metal/Pull/Pull	Machete III	Gator® Breakaway

FRESHWATER SERIES FOOT-CONTROL BOW MOUNT

Model #	Part #	Peak Thrust	Shaft	Shaft Material	Volts	Speed Controls	Motor Directions	200-kHz Transducer	Control	Propeller	Mount Style
FW40 FB / 36"	921310200	40	36"	Aluminum	12	5	Forward	No	Rack & Pinion	Machete III	Gator® Flex 360
FW40 FB / 42"	921310210	40	42"	Aluminum	12	5	Forward	No	Rack & Pinion	Machete III	Gator® Flex 360
FW46 FB / 36"	921310110	46	36"	Aluminum	12	5	Forward	No	Rack & Pinion	Machete III	Gator® Flex 360
FW46 FB / 42"	921310120	46	42"	Aluminum	12	5	Forward	No	Rack & Pinion	Machete III	Gator® Flex 360
FW46 FB / 42" (84" cable)	921310130	46	42"	Aluminum	12	5	Forward	No	Rack & Pinion	Machete III	Gator® Flex 360
FW46 FB / 50"	921310140	46	50"	Stainless Steel	12	5	Forward	No	Rack & Pinion	Machete III	Gator® Flex 360
FW54 FB / 36"	921310150	54	36"	Aluminum	12	5	Forward	No	Rack & Pinion	Machete III	Gator® Flex 360
FW54 FB / 42"	921310160	54	42"	Aluminum	12	5	Forward	No	Rack & Pinion	Machete III	Gator® Flex 360
FW54 FB / 50"	921310170	54	50"	Stainless Steel	12	5	Forward	No	Rack & Pinion	Machete III	Gator® Flex 360
FW54 FB Digital / 36"	923310030	54	36"	Stainless Steel	12	Digital Variable	Forward	No	Rack & Pinion	Machete III	Gator® Flex 360
FW54 FB Digital / 42"	923310040	54	42"	Stainless Steel	12	Digital Variable	Forward	No	Rack & Pinion	Machete III	Gator® Flex 360
FW75 FB / 45"	921310490	75	45"	Stainless Steel	24	5	Forward	No	Rack & Pinion	Machete III	Gator® Flex 360
FW75 FB / 45"	921310440	75	45"	Stainless Steel	24	5	Forward	No	Rack & Pinion	Machete III	Gator® Breakaway
FW75 FB / 50"	921310450	75	50"	Stainless Steel	24	5	Forward	No	Rack & Pinion	Machete III	Gator® Breakaway

FRESHWATER SERIES FOOT-CONTROL TRANSMOUNT

Model #	Part #	Peak Thrust	Shaft	Shaft Material	Volts	Speed Controls	Motor Directions	200-kHz Transducer	Control	Propeller	Mount Style
Bulldog® 40 FT / 30"	921500020	40	30"	Aluminum	12	5	Forward	No	Rack & Pinion	Machete III	#03 Transom
Bulldog® 54 FT / 30"	921500090	54	30"	Aluminum	12	5	Forward	No	Rack & Pinion	Machete III	#09 Transom Wide-Bite

FRESHWATER SERIES HAND-CONTROL BOW MOUNT

Model #	Part #	Peak Thrust	Shaft	Shaft Material	Volts	Speed Controls	Motor Directions	200-kHz Transducer	Control	Propeller	Mount Style
FW109 HB Digital / 50"	923410020	109	50"	Stainless Steel	36	Digital Variable	Forward/Reverse	No	Ext. Twist-Tiller	Machete III	Gator® Breakaway

VARIMAX™ HAND-CONTROL TRANSMOUNT

Model #	Part #	Peak Thrust	Shaft	Shaft Material	Volts	Speed Controls	Motor Directions	Function Gauge	Control	Propeller	Mount Style
V40 HT Digital / 30"	966000010	40	30"	Aluminum	12	Digital Variable	Forward/Reverse	BluVis	Twist/Extendable	Machete III	#09 Transom Wide-Bite
V40 HT Digital / 36"	966000020	40	36"	Aluminum	12	Digital Variable	Forward/Reverse	BluVis	Twist/Extendable	Machete III	#09 Transom Wide-Bite
V45 HT Digital / 36"	966000030	45	36"	Aluminum	12	Digital Variable	Forward/Reverse	BluVis	Twist/Extendable	Machete III	#09 Transom Wide-Bite
V45 HT Digital / 42"	966000040	45	42"	Aluminum	12	Digital Variable	Forward/Reverse	BluVis	Twist/Extendable	Machete III	#09 Transom Wide-Bite
V55 HT Digital / 36"	966000050	55	36"	Aluminum	12	Digital Variable	Forward/Reverse	BluVis	Twist/Extendable	Machete III	#09 Transom Wide-Bite
V55 HT Digital / 42"	966000060	55	42"	Aluminum	12	Digital Variable	Forward/Reverse	BluVis	Twist/Extendable	Machete III	#09 Transom Wide-Bite
V75 HT Digital / 42"	966000070	75	42"	Aluminum	24	Digital Variable	Forward/Reverse	BluVis	Twist/Extendable	Machete III	#09 Transom Wide-Bite

VARIMAX™ DIGITAL HAND-CONTROL BOW MOUNT

Model #	Part #	Peak Thrust	Shaft	Shaft Material	Volts	Speed Controls	Motor Directions	Function Gauge	Control	Propeller	Mount Style
V55 HB Digital / 50"	966080020	55	50"	Aluminum	12	Digital Variable	Forward/Reverse	BluVis	Twist/Extendable	Machete III	Gator® Flex 360
V75 HB Digital / 50"	966080035	75	50"	Aluminum	24	Digital Variable	Forward/Reverse	BluVis	Twist/Extendable	Machete III	Gator® Breakaway

VARIMAX™ DIGITAL HAND-CONTROL PONTOON MOUNT

Model #	Part #	Peak Thrust	Shaft	Shaft Material	Volts	Speed Controls	Motor Directions	Function Gauge	Control	Propeller	Mount Style
V55 HP Digital / 50"	966050010	55	50"	Aluminum	12	Digital Variable	Forward/Reverse	BluVis	Twist/Extendable	Machete III	Pontoon

V75 HP Digital / 50" 966050020 75 50" Aluminum 24 Digital Variable Forward/Reverse BluVis Twist/Extendable Machete III Pontoon

R3 HAND-CONTROL TRANSMOUNT

Model #	Part #	Peak Thrust	Shaft	Shaft Material	Volts	Speed Controls	Motor Directions	Function Gauge	Control	Propeller	Mount Style
R3-30 HT / 30"	940100070	30	30"	Aluminum	12	5/2	Forward/Reverse	No	Twist/Extendable	Machete III	#03 Transom
R3-40 HT / 36"	940100020	40	36"	Aluminum	12	5/2	Forward/Reverse	No	Twist/Extendable	Machete III	#03 Transom
R3-45 HT / 36"	940100030	45	36"	Aluminum	12	5/2	Forward/Reverse	No	Twist/Extendable	Machete III	#09 Transom Wide-Bite
R3-55 HT / 36"	940100050	55	36"	Aluminum	12	5/2	Forward/Reverse	No	Twist/Extendable	Machete III	#09 Transom Wide-Bite

X3 HAND-CONTROL BOW MOUNT

Model #	Part #	Peak Thrust	Shaft	Shaft Material	Volts	Speed Controls	Motor Directions	Function Gauge	Control	Propeller	Mount Style
X3-45 HB / 50"	940200010	45	50"	Aluminum	12	5/2	Forward/Reverse	No	Twist/Extendable	Machete III	Gator® Flex 360
X3-55 HB / 50"	940200020	55	50"	Aluminum	12	5/2	Forward/Reverse	No	Twist/Extendable	Machete III	Gator® Flex 360

WIRELESS DIGITAL SERIES ELECTRIC STEER BOW MOUNT

Model #	Part #	Peak Thrust	Shaft	Shaft Material	Volts	Speed Controls	Motor Directions	200-kHz Transducer	Control	Propeller	Mount Style
W45 Wireless / 48"	970100360	45	48"	Composite	12	Digital Variable	Forward	No	Wireless Pedal	Power Prop 3.5"	Removable Mount
W45 Wireless / 54"	970100370	45	54"	Composite	12	Digital Variable	Forward	No	Wireless Pedal	Power Prop 3.5"	Removable Mount
W55 Wireless / 48"	970100020	55	48"	Composite	12	Digital Variable	Forward	No	Wireless Pedal	Power Prop 3.5"	Removable Mount
W55 Wireless / 54"	970100030	55	54"	Composite	12	Digital Variable	Forward	No	Wireless Pedal	Power Prop 3.5"	Removable Mount
W55 Wireless / 60"	970100060	55	60"	Composite	12	Digital Variable	Forward	No	Wireless Pedal	Power Prop 3.5"	Removable Mount
W75 Wireless / 48"	970100080	75	48"	Composite	24	Digital Variable	Forward	No	Wireless Pedal	Power Prop 3.5"	Removable Mount
W75 Wireless / 54"	970100040	75	54"	Composite	24	Digital Variable	Forward	No	Wireless Pedal	Power Prop 3.5"	Removable Mount
W75 Wireless / 60"	970100050	75	60"	Composite	24	Digital Variable	Forward	No	Wireless Pedal	Power Prop 3.5"	Removable Mount
W55L Wireless / 54"	970100100	55	54"	Composite	12	Digital Variable	Forward	Yes	Wireless Pedal	Power Prop 3.5"	Removable Mount
W75L Wireless / 48"	970100110	75	48"	Composite	24	Digital Variable	Forward	Yes	Wireless Pedal	Power Prop 3.5"	Removable Mount
W75L Wireless / 60"	970100120	75	60"	Composite	24	Digital Variable	Forward	Yes	Wireless Pedal	Power Prop 3.5"	Removable Mount

GREAT WHITE® DIGITAL SALTWATER HAND-CONTROL BOW MOUNT

Model #	Part #	Peak Thrust	Shaft	Shaft Material	Volts	Speed Controls	Motor Directions	200-kHz Transducer	Control	Propeller	Mount Style
SW82 HB Digital / 50"	924410050	82	50"	Stainless Steel	24	Digital Variable	Forward/Reverse	No	Ext. Twist-Tiller	Machete III	Gator® Breakaway
SW82 HB Digital / 60"	924410060	82	60"	Stainless Steel	24	Digital Variable	Forward/Reverse	No	Ext. Twist-Tiller	Machete III	Gator® Breakaway
SW109 HB Digital / 50"	924410070	109	50"	Stainless Steel	36	Digital Variable	Forward/Reverse	No	Ext. Twist-Tiller	Machete III	Gator® Breakaway
SW109 HB Digital / 60"	924410080	109	60"	Stainless Steel	36	Digital Variable	Forward/Reverse	No	Ext. Twist-Tiller	Machete III	Gator® Breakaway

GREAT WHITE® DIGITAL SALTWATER HAND-CONTROL TRANSMOUNT

Model #	Part #	Peak Thrust	Shaft	Shaft Material	Volts	Speed Controls	Motor Directions	200-kHz Transducer	Control	Propeller	Mount Style
SW82 HT Digital / 45"	9CT42KQAX	82	45"	Stainless Steel	24	Digital Variable	Forward/Reverse	No	Ext. Twist-Tiller	Machete III	#09 Transom Wide-Bite
SW109 HT Digital / 50"	9CX53KQAX	109	50"	Stainless Steel	36	Digital Variable	Forward/Reverse	No	Ext. Twist-Tiller	Machete III	#09 Transom Wide-Bite

VARIMAX™ DIGITAL SALTWATER HAND-CONTROL TRANSMOUNT

Model #	Part #	Peak Thrust	Shaft	Shaft Material	Volts	Speed Controls	Motor Directions	Function Gauge	Control	Propeller	Mount Style
V45SW HT Kayak / 18"	966100010	45	18"	Stainless Steel	12	Digital Variable	Forward/Reverse	BluVis	Twist/Extendable	Machete III	#09 Transom Wide-Bite
V45SW HT Digital / 36"	966100020	45	36"	Stainless Steel	12	Digital Variable	Forward/Reverse	BluVis	Twist/Extendable	Machete III	#09 Transom Wide-Bite
V55SW HT Digital / 36"	966100030	55	36"	Stainless Steel	12	Digital Variable	Forward/Reverse	BluVis	Twist/Extendable	Machete III	#09 Transom Wide-Bite

VARIMAX™ DIGITAL SALTWATER HAND-CONTROL BOW MOUNT

Model #	Part #	Peak Thrust	Shaft	Shaft Material	Volts	Speed Controls	Motor Directions	Function Gauge	Control	Propeller	Mount Style
V55SW HB Digital / 50"	966180810	55	50"	Stainless Steel	12	Digital Variable	Forward/Reverse	BluVis	Twist/Extendable	Machete III	Gator® Flex 360 SW
V75SW HB Digital / 50"	966180830	75	50"	Stainless Steel	24	Digital Variable	Forward/Reverse	BluVis	Twist/Extendable	Machete III	Gator® Breakaway SW
V75SW HB Digital / 60"	966180840	75	60"	Stainless Steel	24	Digital Variable	Forward/Reverse	BluVis	Twist/Extendable	Machete III	Gator® Breakaway SW

WIRELESS DIGITAL SALTWATER REMOTE SERIES BOW MOUNT (with hand-held remote & mounting plate cover)

Model #	Part #	Peak Thrust	Shaft	Shaft Material	Volts	Speed Controls	Motor Directions	200-kHz Transducer	Control	Propeller	Mount Style
W55 SW Wireless / 48"	970200010	55	48"	Composite	12	Digital Variable	Forward	No	Wireless Remote	Machete III	Removable Mount
W55 SW Wireless / 54"	970200020	55	54"	Composite	12	Digital Variable	Forward	No	Wireless Remote	Machete III	Removable Mount
W75 SW Wireless / 48"	970200030	75	48"	Composite	24	Digital Variable	Forward	No	Wireless Remote	Machete III	Removable Mount
W75 SW Wireless / 60"	970200040	75	60"	Composite	24	Digital Variable	Forward	No	Wireless Remote	Machete III	Removable Mount

MotorGuide®

motorguide.com



Consumer Service: 1-920-929-5040

Eagle and Lowrance are registered trademarks of Lowrance Electronics Inc. Garmin is a registered trademark of Garmin Ltd. Bassmaster Classic and Bassmaster are registered service marks of BASS, Inc. BASS is a registered membership mark of BASS, Inc. MotorGuide, Great White, Mercury Marine, Mercury Propellers, Machete, Gator, and VariMax are registered trademarks of Brunswick Corporation. WideBite, Cradle Lock, Shark Logo and Bounce Buster are trademarks of Brunswick Corporation. Humminbird is a trademark of Johnson Outdoors, Inc. VELCRO is a registered trademark of Velcro Industries B.V. Vexilar is a registered trademark of Vexilar, Inc. Cabela's MWC is a trademark of Cabela's, Inc. WON BASS Tour is a trademark of Western Outdoors Publications.